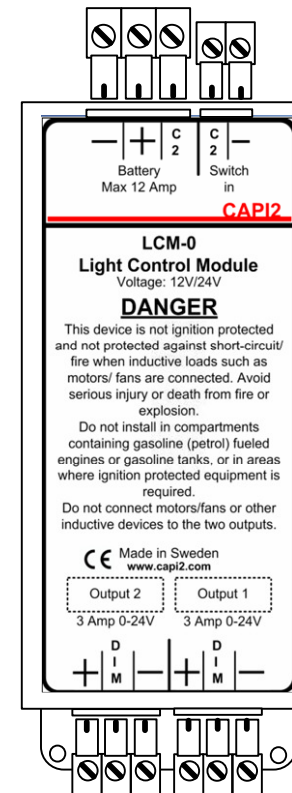


Installation manual

English



LCM-0 Light Control Module

Capi2 BV

Spiegel 29
5674 CE Nuenen
The Netherlands
TEL : 0031402847001
Web: www.capi2.com
Email: helpdesk@capi2.com

16/12/2010 GL

Capi2 BV

Spiegel 29 | 5674 CE Nuenen | The Netherlands

www.capi2.com

General

The Capi2

Congratulations on purchasing a Capi2 bus power distribution system. The system can be assembled according to CE and ABYC standards. It is essential therefore to follow the installation instructions carefully.

Capi2 is a modern electronically controlled bus system. Special built in features reduce the risk of a cable fire or a low-voltage situation.

Features

Built in features in a complete Capi2 system include:

- An electronic circuit breaker for each load. The circuit breaker can be reset with the push button panel.
- Visual and audible warnings.
- A warning for overloads. The appliance turns off automatically.
- A warning for low voltage. The appliance turns off automatically after a warning.
- A warning for wrong connected + and - power cable.
- Override fuse for each load
- Programmable:
 - Overload protection 3/6/10 /13/16 Amp.
 - As a dimmer
 - For momentary switch.
 - For toggle switch
 - To be controlled by multiple switches.
 - To detect broken cable/lamp.
 - Recovery of essential equipment.
 - Timers.

Safety

About this manual

This user manual describes the installation of **Light Control Module**. Read this manual carefully before installation or operation of the product. In case you have any doubt about a procedure contact your dealer.

Safety instructions

Observe all safety instructions. Use this product only for the purpose it is intended for. Please contact your dealer immediately if a potential danger arises during the use of this product.

As used in this manual, the following signal words apply:

DANGER - indicates an imminently hazardous situation that, if not avoided, will result in death or serious injury.

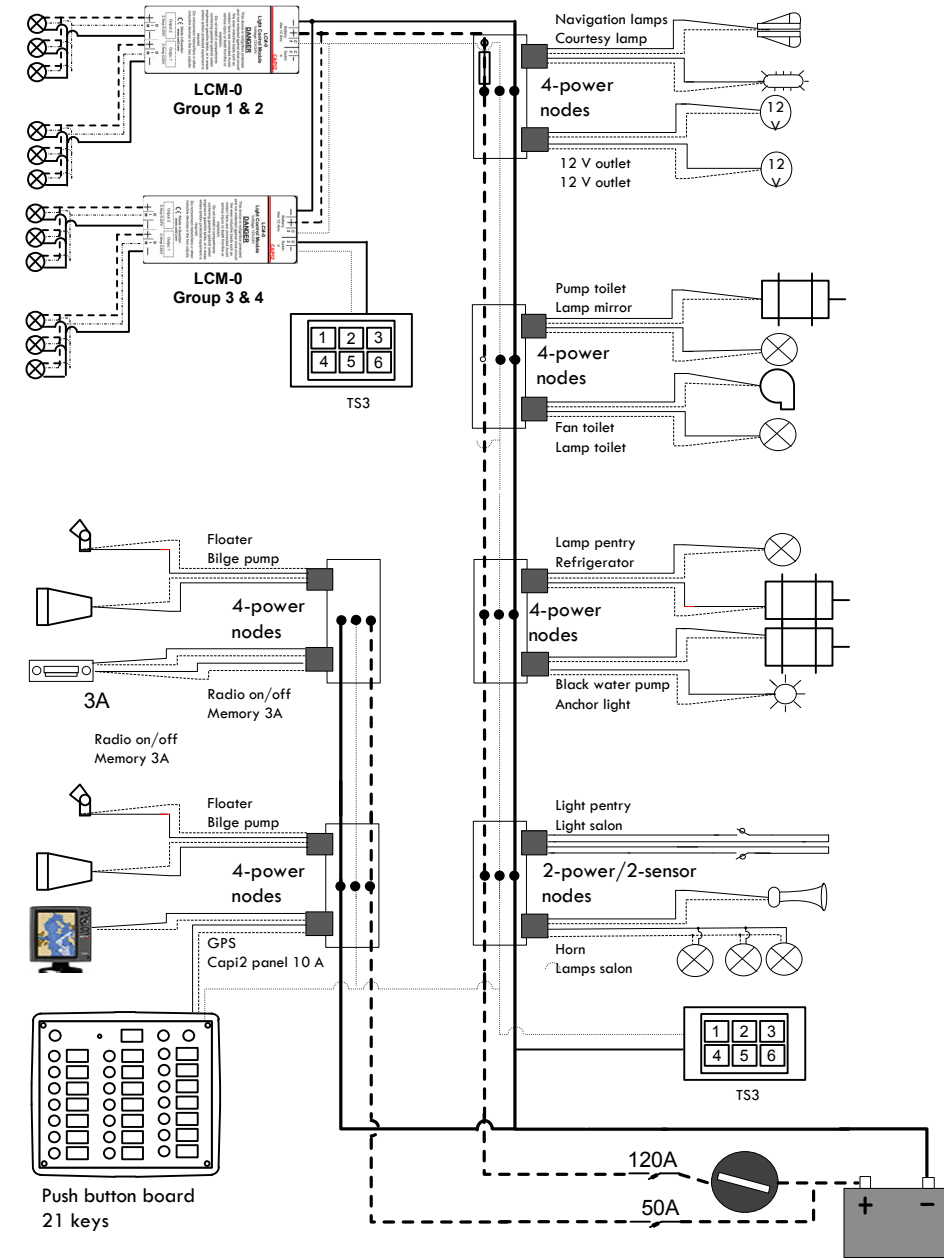
WARNING - indicates a potentially hazardous situation that, if not avoided, could result in death or serious injury.

CAUTION - indicates a potentially hazardous situation that, if not avoided, may result in minor or moderate injury or property damage. It may also be used to alert against unsafe practices.

Service and technical support

For information concerning specific settings, maintenance or repair work, contact your local dealer.

Example of a Capi2 installation



Connect leds into the light control module

Connection

If a 3 wire led is used connect the wire needed for dimming to the dim connection.

If a 2 wire led is used connect it up to the out + and out -

To power and control the module connect it too the main power cable and the C2 cable as in the examples on page 4 and 6

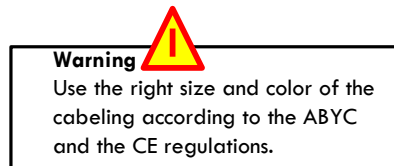
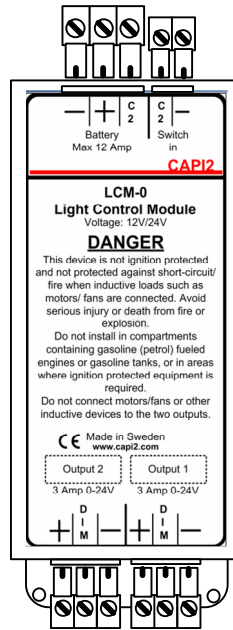
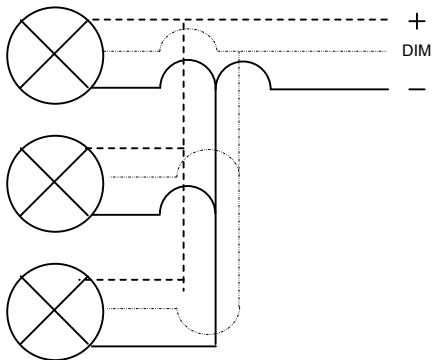
Technical specification for led's that can be dimmed:

- Dimmed by output voltage
- Dimmed by output current (limit value)
- Dimmed by Analog or Digital PWM
- Dimmed by signal amplitude 5 or 10V
- Parallel connection of LEDs

Switches that can be used for controlling

- TS3
- SW18K
- TS5.7
- PBP21K

Leds can be installed parallel for dimming



Serial numbers:

You can find the serial number on the side of the Light Control Module.

Precautions

General

- Never install any components above batteries or fuel tanks.
- Never install components or cables near heat sources that may melt the insulation.
- Never expose components or cables to oil, grease or water.
- Never install components if there is a risk of exposure to water.
- Never use twist-on connectors.
- Always follow the requirements in ABYC Standard E-11 or ISO Standard 10133.

Tools

- Always use the correct tool for crimping terminal connectors.

Cable protection

- Always take the necessary precautions to protect the components and cables from damage.
- Always clamp the wires at least every 30 cm (12").
- Always use insulation barriers and covers to prevent a short circuit of exposed terminal connectors.
- Protect cables that pass bulkheads or structural members against damage by grommets or equivalent means.
- Protect components and wires when there is a risk of physical damage.

Cable requirements

- All wires must be fire resistant, fine-stranded and meet applicable ABYC Standard E-11 or ISO Standard 10133 requirements.
- Always use the correct cable diameter and colour according ABYC Standard E-11 or ISO Standard 10133.

Front side

- 1 Input connector Power (male)
- 2 Plug Power +, Data cable (C-2) and common (female).
- 3 Plug Data loop (female)
- 4 Input connector Data loop (male)
- 5 Input connector Dimming control 1 (male)
- 6 Plug Dimming control output 1, + and common (female).
- 7 Input connector Dimming control 2 (male)
- 8 Plug Dimming control output 2, + and common (female).
- 9 Mounting holes
- 10 Light control module

Introduction

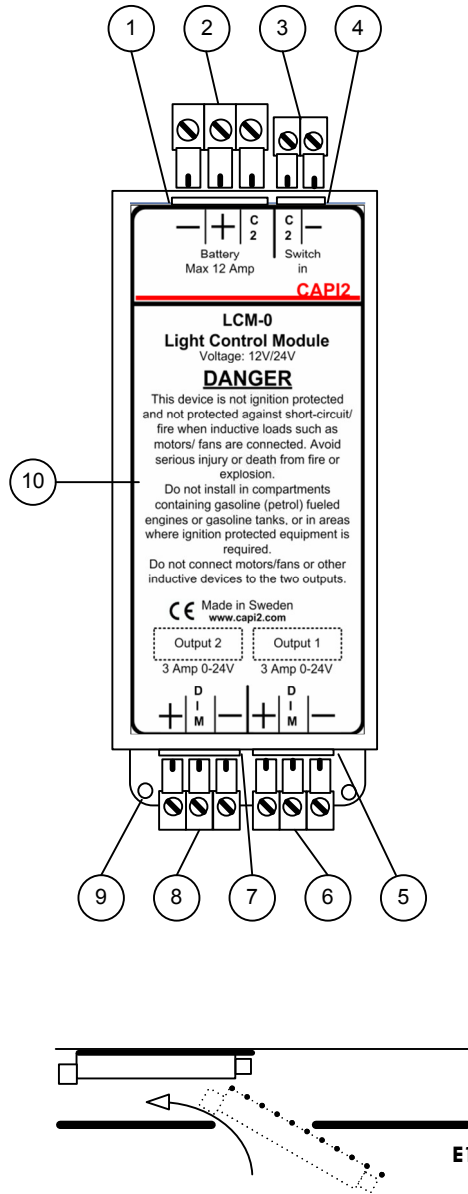
This Light control module can be used and installed in different ways. It can be used as only for controlling light groups for all type of led lights that need to be dimmed. Or use it in the whole Capi2 installation. No special expensive thirdparty unit is needed any more. Just connected It to the information cable (C-2) and the common.

Locations:

- Anywhere as long connected to the C2
- Especially designed for mounting in ceiling (E1)

Function:

- Operating Voltage 12V - 24V
- 2 Power outlets Max 3A 0-24V
- 1 Switch input for any switch interface
- Dimmed or switched by output voltage (limit value)
- Dimmed or switched by output current
- Dimmed or switched by Analog or Digital PWM
- Dimmed or switched by signal amplitude 5 or 10V
- Timers
- Custom switch possibility's
- Led voltage limit 0 - 24V
- Adjustable Led current limit 10mA - 3A
- Blade fuse 4A
- Remote control



Connect the Light Control Module

The light control module can be connected in different ways and on different locations. Multiple modules can be connected anywhere into the system.

NOTE: The bus cable (C-2) does not have to be fused as it is already fused before the switch and at the bus generator.

DANGER

This device is not ignition protected. Avoid serious injury or death from fire or explosion.

Do not install in compartments containing gasoline (petrol) fueled engines or gasoline tanks, or in areas where ignition protected equipment is required.

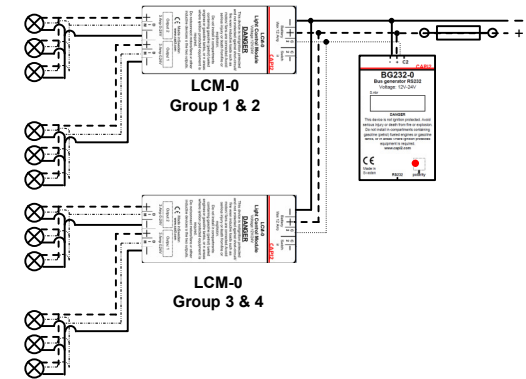
Warning

Use the right size and color of the cabling according to the ABYC and the CE regulations.

Suggested size of cable.

- Digital cable** 1,5mm²/16 AWG marine cable. Can be connected to any C-2 connection anywhere in the system.
- Common cable** _____ 1,5mm²/16 AWG marine cable.
- Power cable** ----- 1,5mm²/16 AWG marine cable.

Connected to the bus generator



Connected to the terminals on the node module and output.

