

# **Installation manual**

## **Capi2 – Navigation light board**

© 2006 Capi2 BV

All rights reserved.

The information provided may not be reproduced and/or published in any way or by any means (electronic or mechanical), without the prior, explicit written authorisation of Capi2 BV.



**Declaration of conformity**

Manufacturer: Capi2  
Spegelt 29  
5674 CE Nuenen  
The Netherlands

Herewith declares that the products in this manual are in conformity with the provisions of the:

- EC/EMC directive 89/336/EEC
- ISO 10133 Small craft - Electrical systems - Extra-low-voltage d.c. installations

The following standard has been applied: IEC 60533 'Electrical and electronic installations in ships - Electromagnetic compatibility' with the harmonized standards:

- EN 61000-4-2; EN 61000-4-3; EN 61000-4-6; EN 61000-4-11 and EN 61000-4-16

## Table of contents

1. Introduction .....	4	3. Navigation light board .....	5	Limitations .....	9
The Capi2 .....	4	Overview of the navigation light board .....	5	Validation of warranty .....	9
Features .....	4	Install the navigation light board .....	6	Obtaining warranty service .....	9
About this manual .....	4	Configure the navigation light board .....	8	Liability .....	9
2. Safety .....	4	4. Worldwide warranty .....	9	5. Appendix .....	10
General .....	4	General .....	9	Spare parts .....	10
Service and technical support .....	4	Product warranty .....	9		

# 1. Introduction

## The Capi2

Congratulations on purchasing the navigation light board for your vessel. The system is delivered as a set and can be assembled according to CE standard. It is essential therefore to follow the installation instructions carefully.

The navigation light board is an integral part of the Capi2 bus system.

# 2. Safety

## General

Observe all safety instructions. Use this product only for the purpose it is intended for. Please contact your dealer immediately if a potential danger arises during the use of this product.

## Features

Built in features include:

- An electronic fuse. The fuse can be reset with the switch push button.
- All warnings are both visual and audible.
- A warning for broken (navigation) lights and cables.
- A warning for overloads. The load turns off automatically.
- Warning for low voltage. The load turns off automatically.
- An adjustable background light in the switch panel.

## Modifications

Modifications to the product are not permitted.

## About this manual

This user manual describes the installation and operation of the Capi2 Navigation light board. Read this manual carefully before use or operation of the product. In case you have any doubt about a procedure contact your dealer.

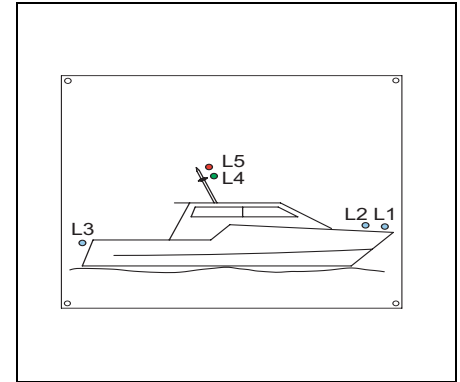
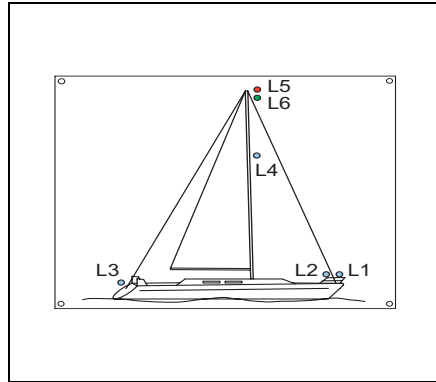
## Service and technical support

For information concerning specific settings, maintenance or repair work, contact your local dealer.

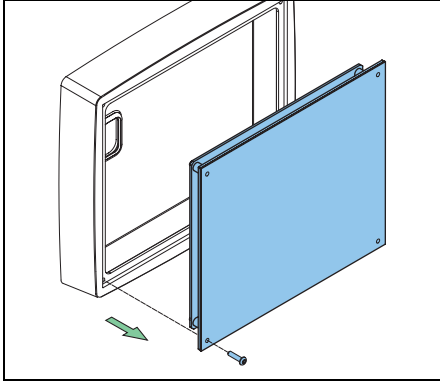
### 3. Navigation light board

#### Overview of the navigation light board

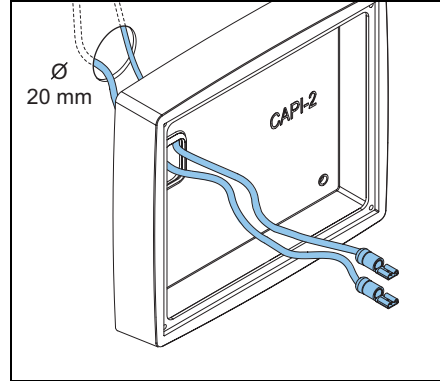
- L1 Bow light (green)
- L2 Bow light (red)
- L3 Stern light (yellow)
- L4 Motor light (yellow)
- L5 Anchor light (yellow)
- L6 Combination light (yellow)



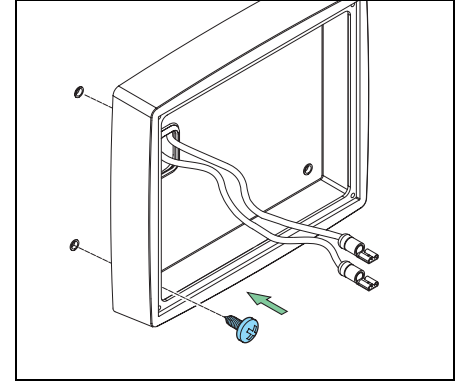
## Install the navigation light board



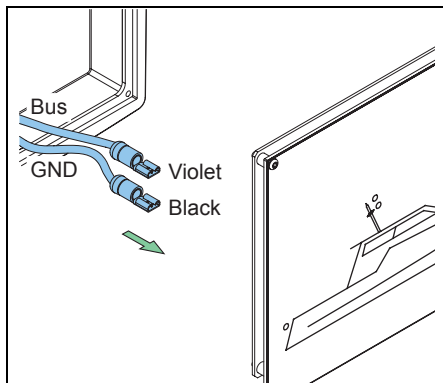
1. Remove the cover of the navigation light board.



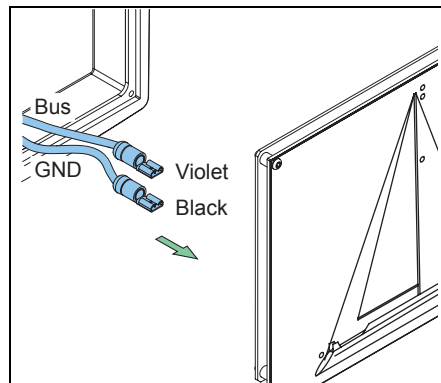
2. Feed the wires through a 20 mm (6/8") hole.
3. Feed the wires through the back panel.



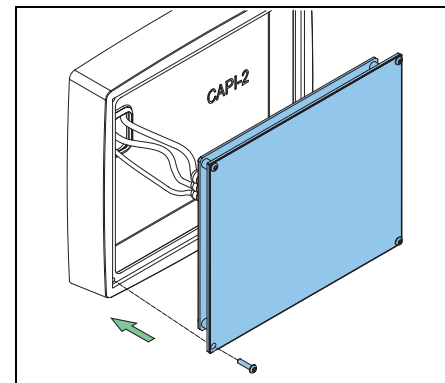
4. Install the back panel on a suitable surface.



4. Connect the wires to the cover of the navigation light board (motorboat).



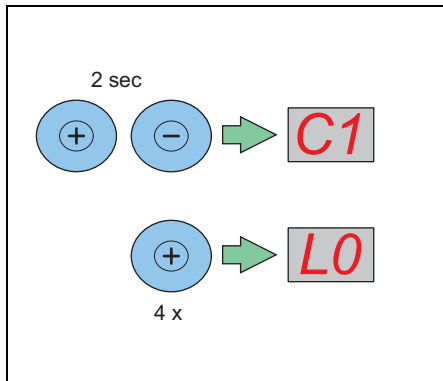
5. Connect the wires to the cover of the navigation light board (sailboat).



7. Replace the front cover.  
 8. Connect the violet and the black wires to the same connectors on the switch board.  
 Or: Connect the violet and the black wires to a branch node.

- Violet to +
- Black to -.

## Configure the navigation light board

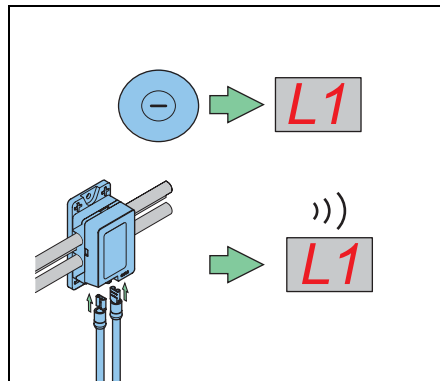


On the switch panel:

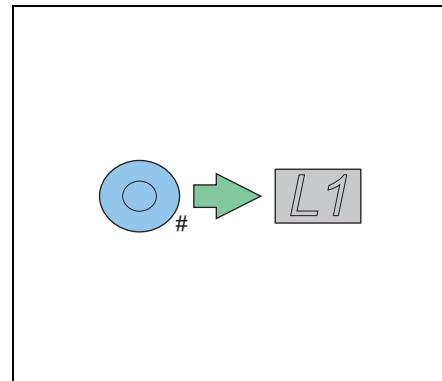
1. Push the + and – for two seconds.  
The display shows C1.
2. Push + two times.  
The display shows L0.

### Note:

If the light already is connected to a node, first disconnect the cables from the node.



3. Push – to select the navigation light.  
The display shows L1, L2, L3, L4, L5 or L6.
4. Connect the light to the node.  
The buzzer gives a signal.



5. Push the desired switch button shortly.  
The display turns off. The buzzer stops.
6. Repeat the procedure for the other navigation lights.

### Store the configuration

It is necessary to store each configuration separately. To do this, turn the push button panel off and on after you finished the specific configuration.



## 4. Worldwide warranty

### General

The Capi2 warranty terms and conditions do not intrude with the costumer's legal rights.

In order to be sure that the equipment operates properly we recommend that you read the installation and user manual carefully. Place special attention on safety and operation.

### Validation of warranty

In order to validate the warranty the costumer is requested to fill in the warranty registration within 5 working days and submit it by mail or e-mail to Capi2. The warranty request can be found in the user manual or at [www.capi2.com](http://www.capi2.com) customer support.

### Product warranty

Capi2 warrants each new product to be of good materials and workmanship during a period of 12 months from delivery to end user or 18 months from the day of shipment which ever expires first. During the warranty period Capi2 or its agent will repair or exchange parts which have proven to be defective in materials and workmanship.

The warranty covers parts and labor with any warranty repair, described as above, requiring that the parts are returned to Capi2 or its agent at the owners own expense.

### Obtaining warranty service

Contact a Capi2 agent or Capi2 ([www.capi2.com](http://www.capi2.com)) in event of warranty service.

A proof of purchase including showing date of purchase, place of purchase serial number has to be available at the warranty request.

Subject to certain limitations (see Limitations) the part will be repaired/replaced and returned to the costumer at no costs.

### Limitations

This warranty does not cover equipment that has been subjected to damage, abuse, shipment damage, corrosion, unauthorized service or when serial numbers has been altered/moved.

The warranty does not cover any routine checkup, sea trials etc.

Capi2 does not warrant any damage caused to/by any other equipment.

Capi2 warranty does not cover any differences in material in what is available and what is displayed on internet or in documentation.

Travel costs and time in addition to what falls under this warranty must have prior written approval.

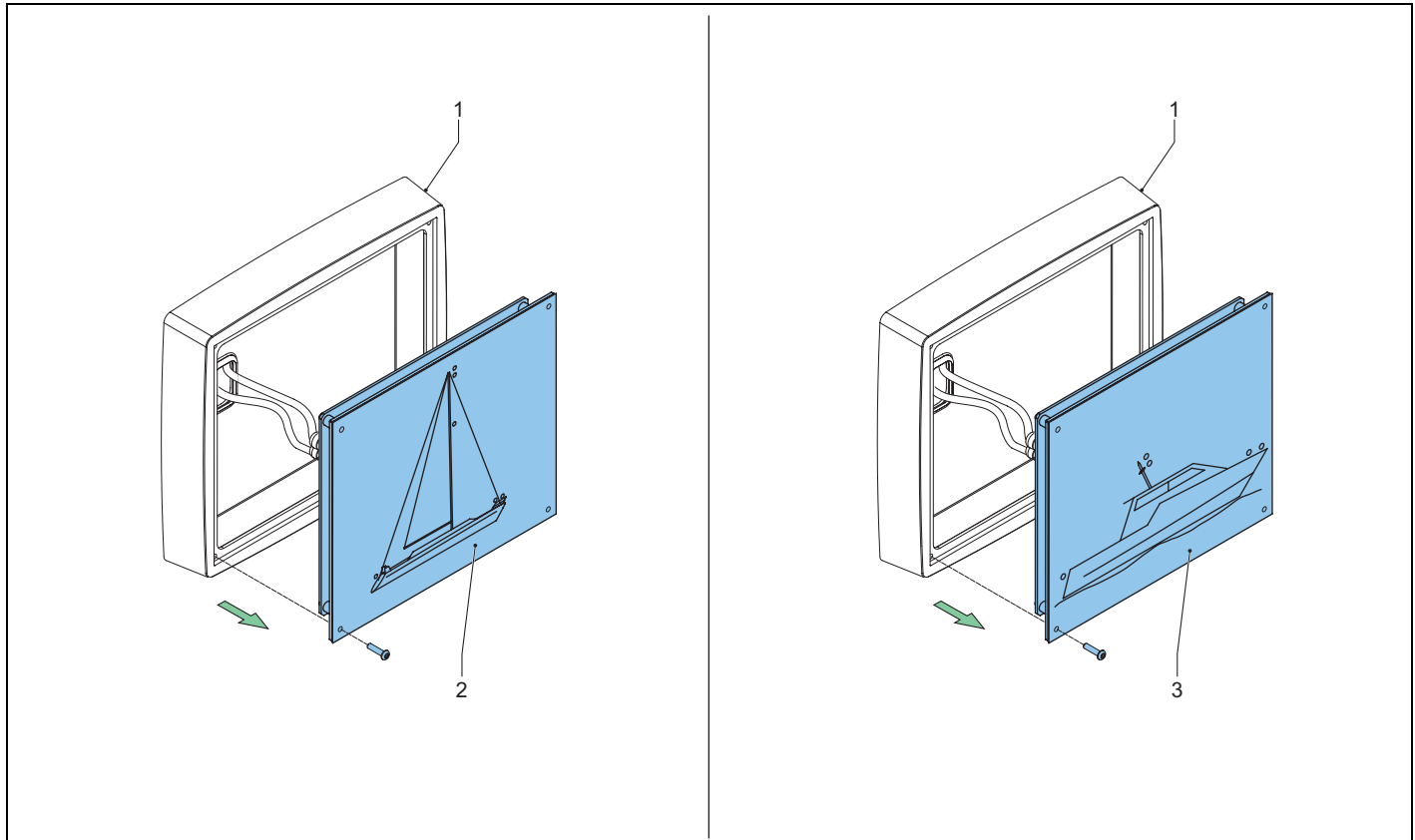
### Liability

To the extent consistent with state and federal law shall Capi2 not be liable for any incidental, consequential or special damages.

Is this warranty strictly limited to the terms indicated herein, and no other warranties shall be binding on Capi2 including without limitation any warranties of merchantability purpose.

## 5. Appendix

### Spare parts



<b>Number</b>	<b>Article description</b>	<b>Article number</b>
1	Frame 21 keys / Navigation light	FPB21NL-0
2	Navigation light board sail boat	NLS12V-0
3	Navigation light board motor boat	NLM12V-0





Stamp

Technical Support  
Capi2 BV  
Spegelt 29  
5674 CE Nuenen  
The Netherlands

Owners Name: \_\_\_\_\_

Mailing address: \_\_\_\_\_

\_\_\_\_\_

\_\_\_\_\_

Phone: \_\_\_\_\_

E-mail address: \_\_\_\_\_

NOTE: Capi2 will use this information for validation of warranty and mailing of information.

The information will not be made available for other companies.

I do not want to receive information about new products from Capi2.

Purchase date: dd/mm/yy \_\_\_\_\_

Serial number: \_\_\_\_\_

Dealer name: \_\_\_\_\_

Address: \_\_\_\_\_

\_\_\_\_\_

\_\_\_\_\_

Installed by: \_\_\_\_\_

Installation date: dd/mm/yy \_\_\_\_\_

Type boat: \_\_\_\_\_

24



The logo for Capi2, featuring the word "Capi2" in a bold, red, sans-serif font. The logo is positioned at the end of a thick horizontal line that is red on top and black on the bottom.

---

Capi2 BV  
Spegelt 29  
5674 CE NUENEN  
The Netherlands  
Phone: +31 40 284 7001  
Fax: +31 40 283 4101  
[www.capi2.com](http://www.capi2.com)  
[info@capi2.com](mailto:info@capi2.com)